

**EU DECLARATION OF CONFORMITY**
DECLARACIÓN UE DE CONFORMIDAD

Certificado Nº SGI 3198065/11

Certificado Nº SGI 3198065/12

The company / *La Empresa:***BASOR ELECTRIC, S.A.**Address / *Dirección:*

Av. Alcodar, 45-47, 46700. Gandía (VLC), Spain.

Declares that the product:

*Declara que el producto:***BASORCANAL CT**

Installed in accordance to the installation standards, manufacturer's instructions and professional rules, duly maintained and used for the applications as intended.

Instalado de acuerdo con las normas de instalación, instrucciones del fabricante y conforme a las reglas profesionales, debidamente mantenido y utilizado en las aplicaciones para las que está previsto.

Complies with the essential requirements of the Council Directives:

*Cumple con los requisitos esenciales de las Directivas del Consejo:***2014/35/UE (Low Voltage Directive) / (Directiva de Baja Tensión)**

Incorporated in the Spanish Legislation in: R.D. 187/2016.

Incorporado en la Legislación Española en: R.D. 187/2016.

And it is suitable and safe for the intended use and it is in conformity with the following standard:

*Es adecuado y seguro para el uso a que está destinado y es conforme con la siguiente norma:***UNE EN 50085-1****UNE EN 50085-2-1**

Additional information:

Información adicional:

This product is intended to be installed and maintained by skilled persons, it may be used by ordinary persons only as a replacement part, to substitute for an identical device.

Este producto está previsto para ser instalado y mantenido por un profesional, puede ser usado por una persona no formada para reemplazamiento de uno idéntico.

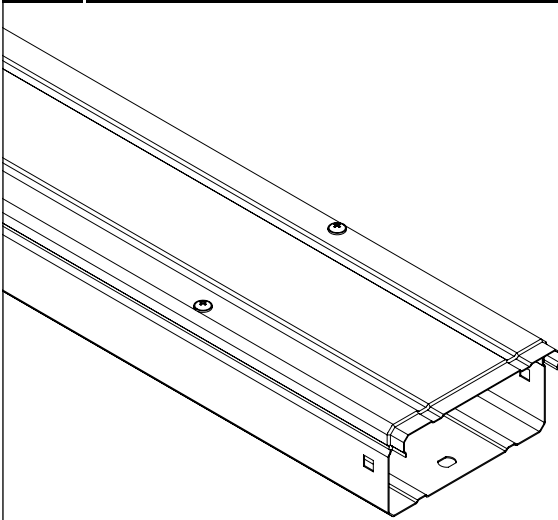
Place and date:

Lugar y fecha:

Gandía May 2016

*Gandía Mayo 2016*Technical department / *Departamento Técnico*

CT



Models (HxB):

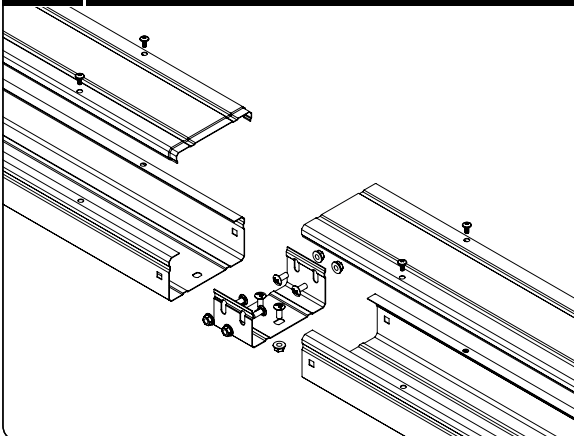
40x80; 40x120; 60x120; 80x140; 80x200; 100x200; 100x300; 100x400; 100x600.

Material: GSE

Characteristics:

- Metallic
- Impact Strength: 20J
- Minimum storage temperature: -45 °C
- Minimum installation temperature: -25 °C
- Maximum temperature: 120 °C
- Non-flame propagating component
- System with electrical continuity
- Non-insulating component
- Degree of protection:
 - IP53 without Bupreno tape
 - IP65 with Bupreno tape
- According to protection against corrosive or pollution substances: with high protection outside and medium protection inside
- Cover can not be opened without tool.

ASSEMBLING INSTRUCTIONS



- To assembly two straight section one JUCT union joint and 6 B1 bolt sets are needed
- Cover is fixed using M4x10 screws
- Tray installation for electrical systems should NOT run under other types of canalisations such as water, vapour or gas canalisations.
- To guarantee a good ventilation, we recommend installing the trays keeping a minimum distance of 250 mm between each tray.
- Trays placed on supports shall have to keep a gap of 20 mm from the wall to allow the correct ventilation of the cables.